

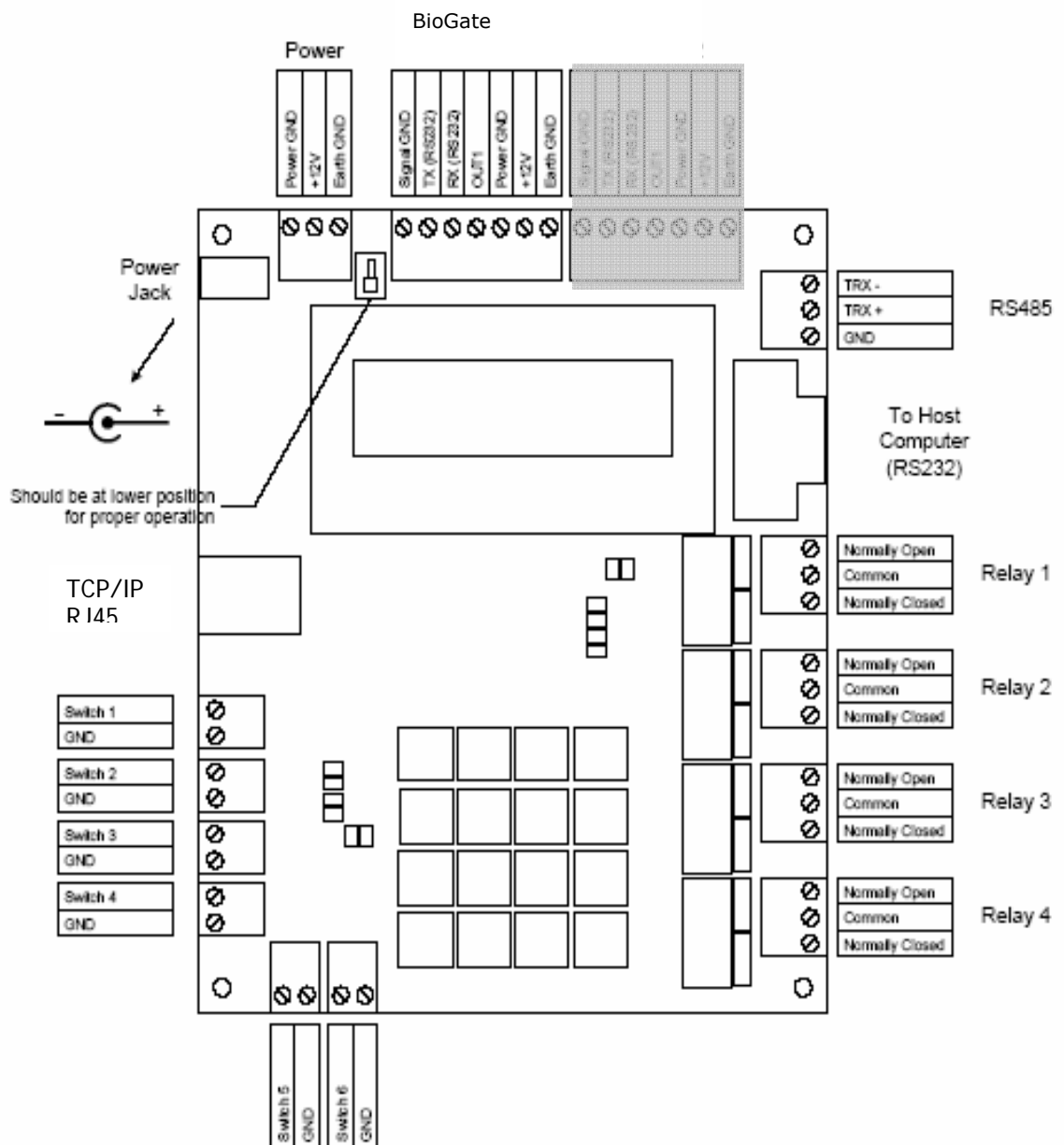
# Wiring Guide

Version 03.08 Revision 1.3

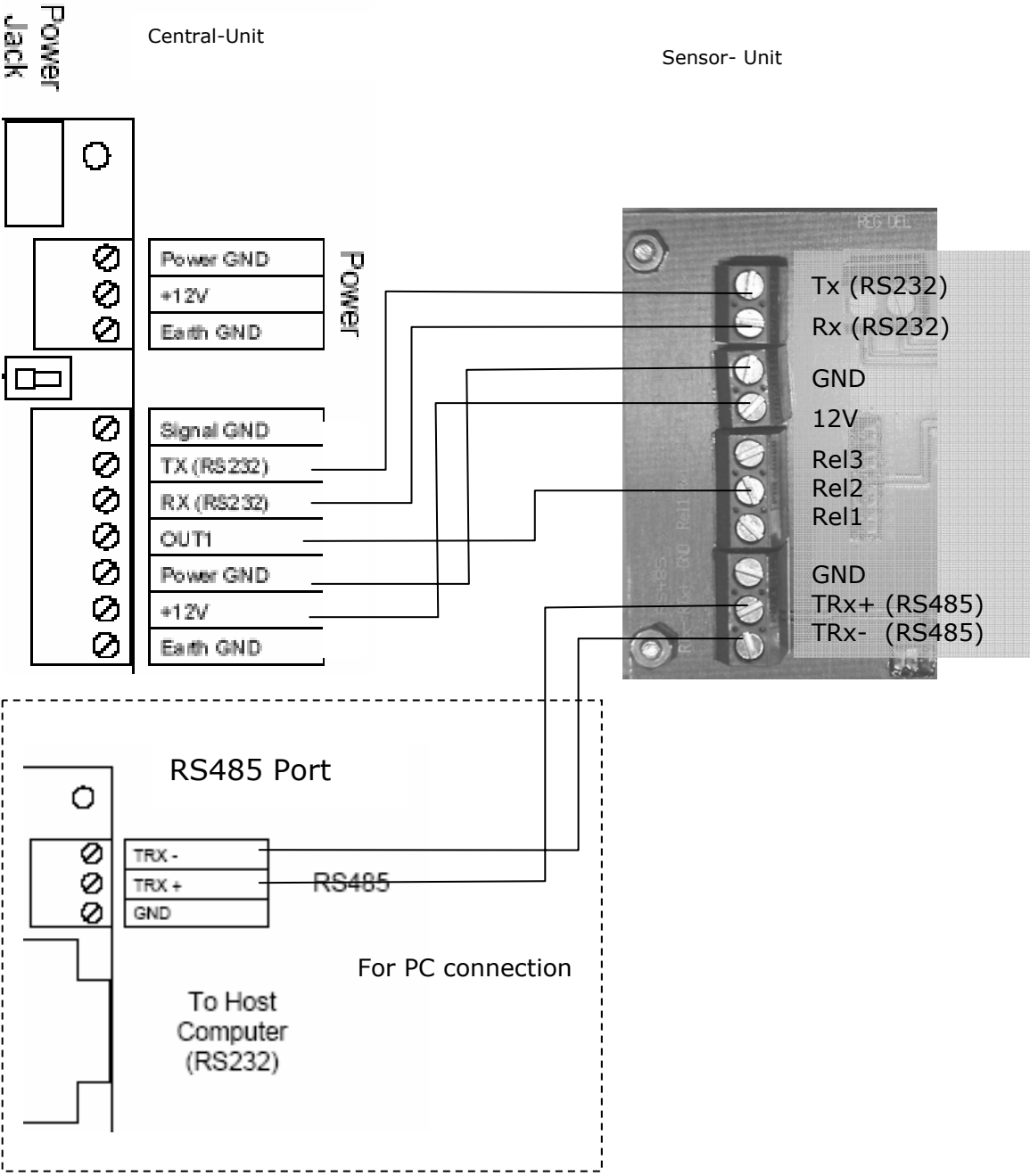
## BioGate (BioEntry) connected to Host/Access Controller (BEACon)

### Host/Access Controller (BEACon)

for only **one** BioGate if you want to use with 2<sup>nd</sup> finger (duress) for relay control support



# Wiring guide



Up to 2 BioGate for one or two door mode setting, but **without** the possibility to use 2<sup>nd</sup> finger mode (duress) for relay control support

